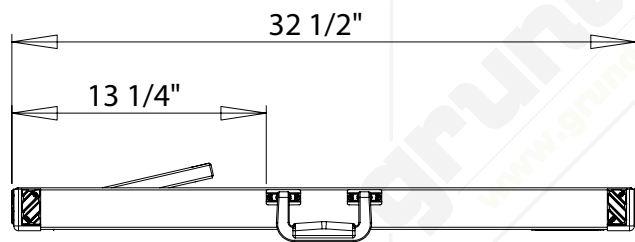
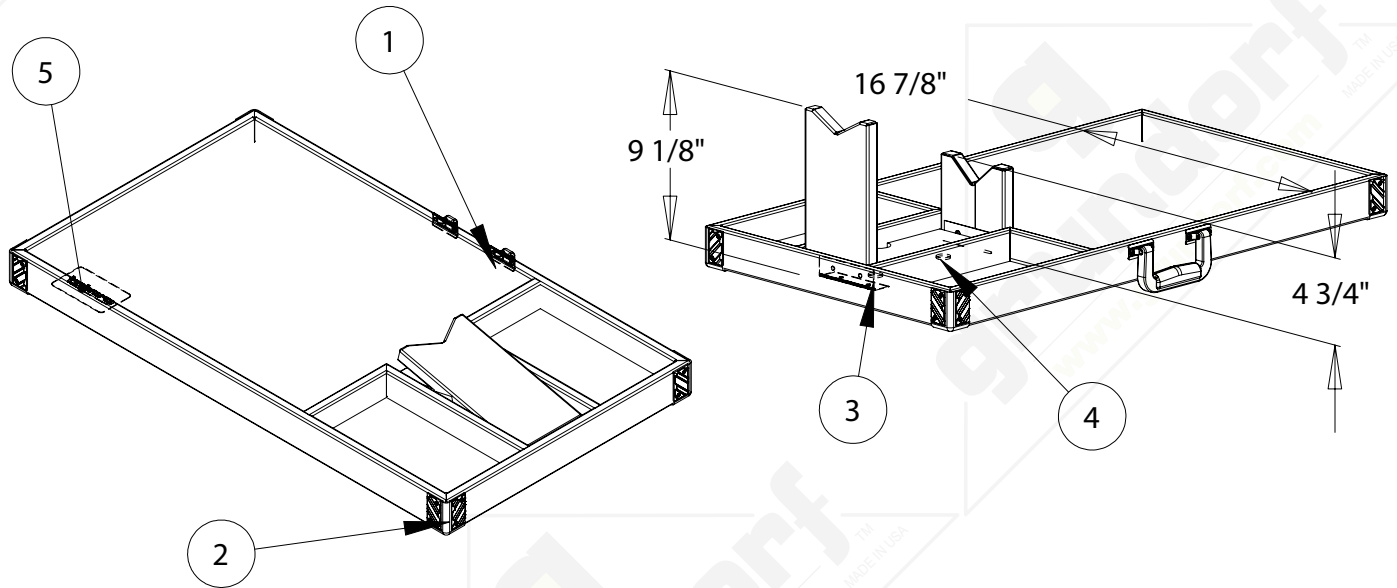
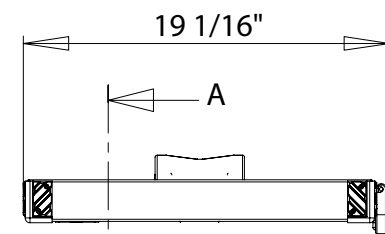


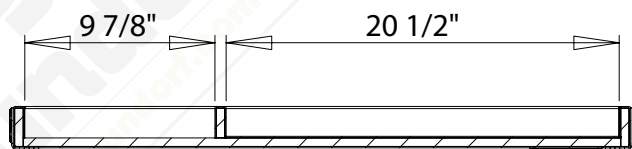
| # | Qty | PART NUMBER | DESCRIPTION |
|---|-----|-------------|--------------------------------|
| 1 | 1 | 31-012 | HANDLE - PLASTIC ATTACHE |
| 2 | 4 | 32-003 | CORNER - PLASTIC CHEVRON/BLACK |
| 3 | 2 | 33-019 | HINGE - PIANO, 4" |
| 4 | 2 | 96-001 | VELCRO WASHER, BLACK VINYL |
| 5 | 1 | 83-008 | BADGE - GRUNDORF |



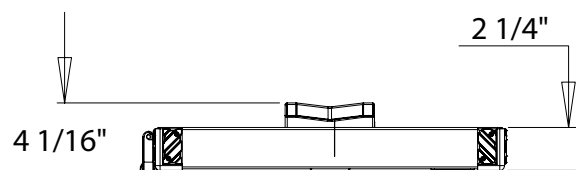
Left View



Front View



SECTION A-A



Back View